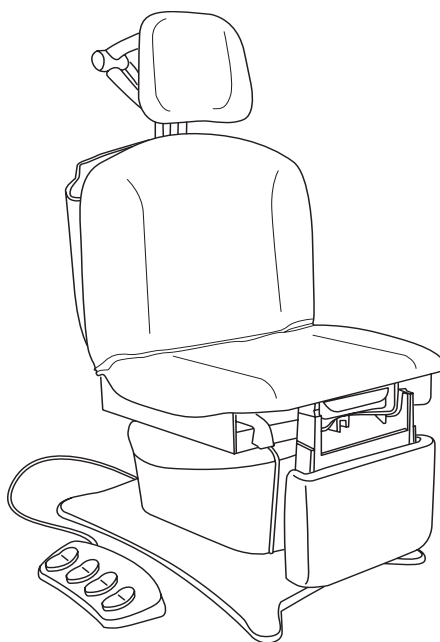


BrewerAssist

POWER PROCEDURE TABLE

Model 7000

Installation & Operation Manual



<i>Important Information</i>	2	<i>Operation</i>	8
<i>Safety Information</i>	3	<i>Table Adjustments</i>	12
<i>Component Identification</i>	3	<i>Maintenance</i>	15
<i>Specifications</i>	4	<i>Warranty</i>	15
<i>Installation</i>	5	<i>Accessories</i>	16

The Brewer Company, LLC
N88 W13901 Main Street, Suite 100
Menomonee Falls, WI 53051
P 1.888.Brewer.1
F 262.251.2332
www.brewercompany.com

IMPORTANT INFORMATION

General

Read and understand all operating instructions, safety information, and maintenance requirements contained in this manual prior to operating the table. Become familiar with all of the table functions before using it with a patient.

The Brewer ASSIST Powered Procedure Table is designed to provide positioning and support of patients during general examinations conducted by qualified medical professionals.

The ASSIST table is primarily used in examination rooms for general examinations and minor procedures. The wide variety of positions provided by four powered motions, adjustable legrest, adjustable headrest, stirrups and treatment pan, create a safe and convenient patient positioning table for most examinations and procedures performed in the doctor's office.

The table is easily adjusted to a wide variety of positions using the convenient foot control provided with the table. An optional hand pendant may be purchased which can be used in conjunction with the foot control. The table height can be adjusted from 19" to 40". The table seating surface can be moved from the normal horizontal position to an angle of 30°. The backrest can be adjusted from a flat lying down position, to an 85° angle for seating. The legrest can be adjusted from a vertical position for seating, to a horizontal position for laying.

In addition to the electronically controlled positions noted above, several manual adjustments are available:

1. The legrest can be manually adjusted from a sitting to a kneeling position.
2. With the table in the horizontal position, the legrest can be extended an additional 5" of travel for tall patients.
3. Stirrups may be manually extended and positioned infinitely within the lateral range of travel.
4. A removable treatment pan is stowed beneath the front of the seat and can be pulled out for use during examinations.
5. The headrest is multi-adjustable using three clamp action locking levers.
6. The backrest incorporates a self-storing paper roll.

Service

If you require assistance with the installation or operation of your Brewer Model 7000 table, call the Brewer Customer Service Department at **(1-888-Brewer1)**. Our trained staff will attempt to assist you in correcting the problem directly over the phone. If service is required, a factory authorized technician will be sent to your location.

Please fill in the following information for use when calling the Brewer Company or your distributor with questions regarding your unit. See Figure 1 for model and serial number location.

Date of Purchase _____

Serial Number _____

Model Number _____

Authorized Dealer Name _____

Dealer Phone Number _____

Dealer Address _____

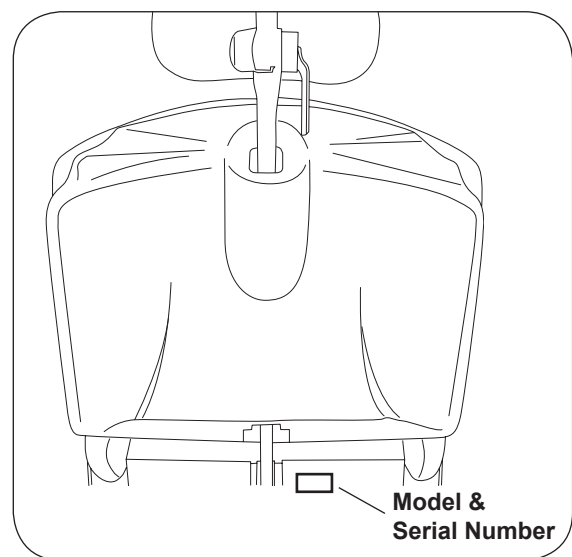


Figure 1. Model and Serial Number Location

SAFETY INFORMATION

Safety Information

The primary concern of The Brewer Company is that the equipment is operated and maintained with the safety of the patient and healthcare staff in mind. To ensure safe and reliable operation:

- Read and understand all instructions in this manual before attempting to install or operate the unit.
- Ensure that appropriate personnel are informed on the manual contents. This is the responsibility of the purchaser.
- Ensure that this manual is located near the table, or if possible permanently affixed to the table.



This is the safety alert symbol. It is used to alert you to potential physical injury hazards. Obey all safety messages that follow this symbol to avoid possible injury or death.



DANGER Indicates a hazardous situation that, if not avoided, will result in death or serious injury.



WARNING indicates a hazardous situation which, if not avoided, could result in death or serious injury.



CAUTION indicates a hazardous situation which, if not avoided, could result in minor or moderate injury.

COMPONENT IDENTIFICATION

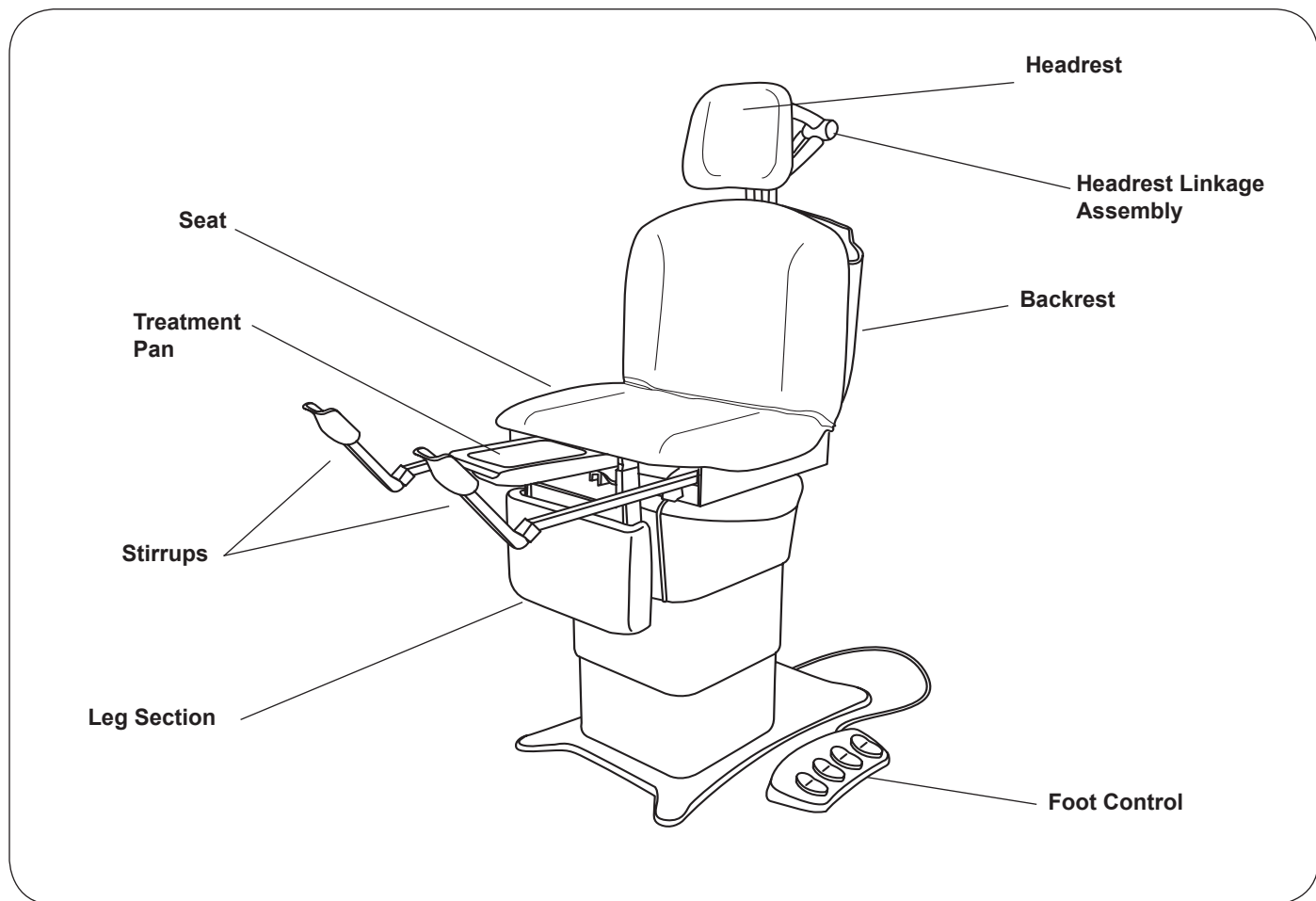


Figure 2. Component Overview

SPECIFICATIONS

Weight of Table550 lbs.

Load Rating (maximum)

- Seat/Back450 lbs.
- Legrest (Flat & Kneeling)450 lbs.
- Headrest100 lbs.

Back Section Range0° (horizontal) to +85° ± 5°

Table Top Height Range 19 ± 0.5 in. to 40 ± 1.0 in.

Leg Section Range0° (horizontal) to 90° (vertical)

Table Top

Tilt Range 0° (horizontal) to +30° ± 5° (foot up)

Dimensions

- Upholstered Headrest 13 in. wide x 11 in. high
- Upholstered Top28.0 in. wide x 44.5 in. long
- Upholstered Leg Rest 16.5 in. wide x 11.25 in. high
- Overall Length69 in. long
- With Headrest/Footrest Extended90 in. long

Electrical Requirements

.....115 VAC nominal, 60 HZ, 5.8 amps maximum

Duty Cycle (10%)

..... 2 minutes on / 18 minutes off (motor run time)

Power Cord

- LengthExtends 70 in. from Table
- Type Detachable
- Conductors 18 AWG / 3 Conductor
- Grade Hospital Grade Plug

Type of protection against electrical shock

- Model 7000 Class 2 Double Insulated
- Patient applied parts Type B

Type of protection against ingress of water....Ordinary

Paper Roll Sizes

- Regular18 in. x 3.5 in.
- Long21 in. x 3.5 in.

Certifications* .. UL60601-1; CAN-CSA C22.2 No. 601.1

Operating Conditions


- Temperature Range 65° to 85°F
- Humidity Range 10% to 90%


Transportation and Storage

- Temperature Range-20°F to 85°F
- Humidity Range 10% to 90%



*Classified in the United States and Canada per the standards listed above.

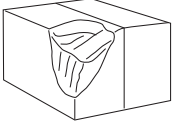
WARNING	
	<p>Explosion/Fire Hazard</p> <p>Do not use this table in an explosive or oxygen rich atmosphere. Failure to do so may result in serious personal injury or death.</p>


WARNING	
	<p>Shock Hazard</p> <p>When performing cauterization or similar treatment, the patient must be insulated from the metal portions of the table by non-conductive material. Failure to do so may result in electrical shock.</p>

NOTICE
<p>Certifications</p> <p>This product has been evaluated with respect to electrical shock, fire, and mechanical hazards only in accordance with UL60601-1; CAN/CSA C22.2 No. 601.1</p>

NOTICE
<p>Electromagnetic Interference (EMI)</p> <p>This product is designed and built to minimize electromagnetic interference with other devices. However, if interference is noticed between another device and this product, remove the interfering device from the room or plug this product into an isolated circuit.</p>

INSTALLATION

NOTICE	
	<p style="text-align: center;">Inspect Carton and Contents</p> <p>Inspect all boxes and contents for damage. Report any damage to the carrier immediately.</p>

NOTICE	
	<p style="text-align: center;">No Sharp Tools</p> <p>To avoid damaging the table's upholstery or painted surfaces, DO NOT use a knife or other sharp object to open the packaging.</p>

Overview

Perform the following sequence in order when setting up the table:

- Uncrating
- Leveling the Base
- Installing the Foot Control

NOTICE
<p style="text-align: center;">Optimum Table Performance</p> <p>For optimum table performance, allow the table to reach room temperature before operating.</p>

Uncrating

1. Using a 1/2" open-end wrench, or socket, unbolt the table from the wooden shipping skid by removing the four bolts located underneath the table's base; two on each side.

NOTICE
<p style="text-align: center;">The table weighs approximately 550 lbs.</p>

2. Remove the table from the shipping skid by sliding it off the front of the skid. Be sure to lift at the correct points as indicated in Figure 3. Position the table in the desired room location.
3. Remove packing tape from stirrups (Figure 4). Pull out treatment pan slide and remove packing tape from the treatment pan assembly components. Return treatment pan slide to its stowed position.

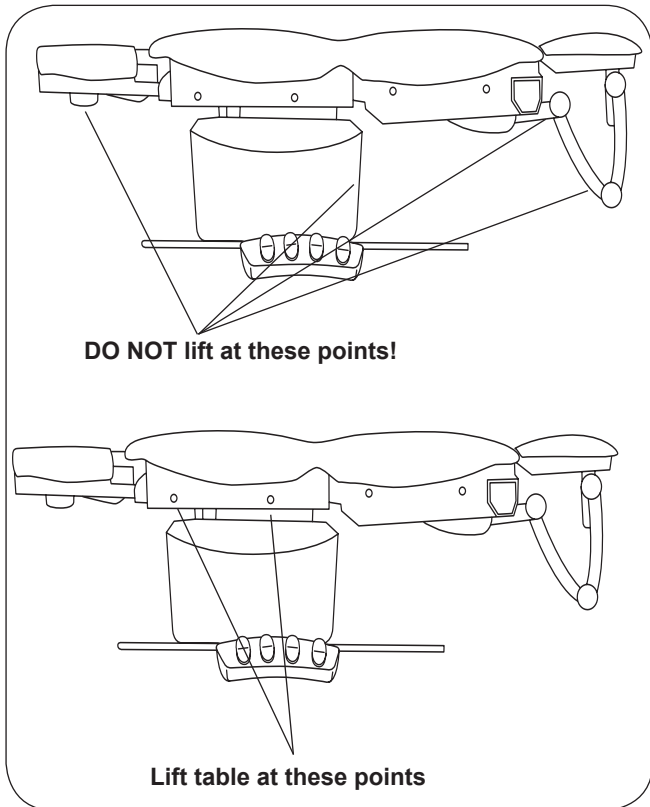


Figure 3. Table Lift Points

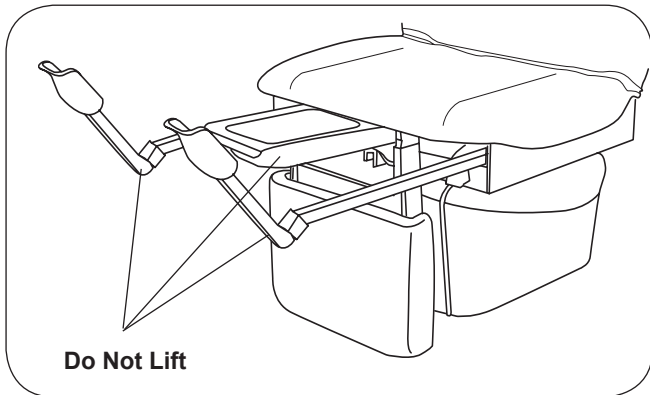


Figure 4. Stirrups and Treatment Pan

INSTALLATION (CONTINUED)

Leveling the Table

A leveling screw pad (Figure 5) is located in four places under the table's base. Adjust the six leveling pads to achieve a solid, level installation.

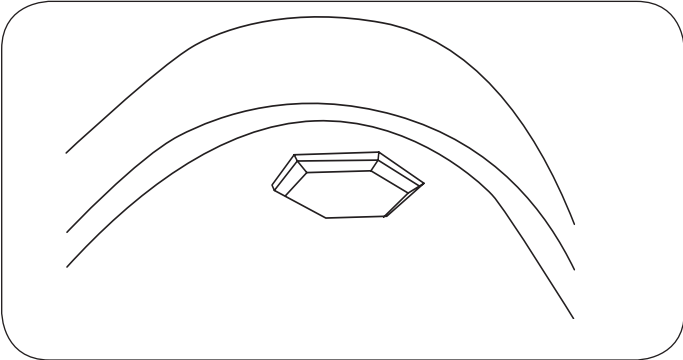


Figure 5. Leveling Screw Pad (located under table)

NOTICE

Prevent Leveler Damage

Levelers must remain in the table and be fully engaged a minimum of (3) turns. If levelers are not fully engaged in the base, damage to the threading in the base and/or leveler can occur.

Installing the Power Cord

1. Insert the female plug end of the power cord into the receptacle on the table (Figure 6).

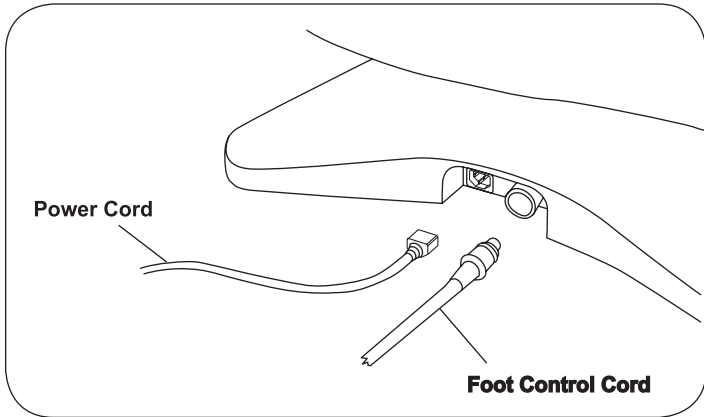


Figure 6. Power Cord & Foot Control Cord Receptacles

NOTICE

Confirm Voltage and Plug Type

See Specifications Page for electrical rating of this unit. The three-pronged grounding plug on the table power cord must be plugged into a matching three-pronged, grounded, non-isolated, correctly polarized 115 VAC receptacle.

2. Plug the power cord into a 115 Volt grounded receptacle.

INSTALLATION (CONTINUED)

Installing the Foot Control

1. Remove the foot control from the shipping box.
2. Insert the end of the foot control cord into the foot control receptacle on the table (Figure 6). Make sure the tab on the plug is aligned with the slot in the receptacle.

Note: The plug may appear to be fully inserted and yet have some distance to go. Wiggle the plug while pushing it in firmly to ensure that it is fully seated (Figure 7).

NOTICE
<p>The foot control is moisture resistant and runs on low voltage. To avoid temporary or permanent damage to the foot control, do not immerse in water or liquids.</p>

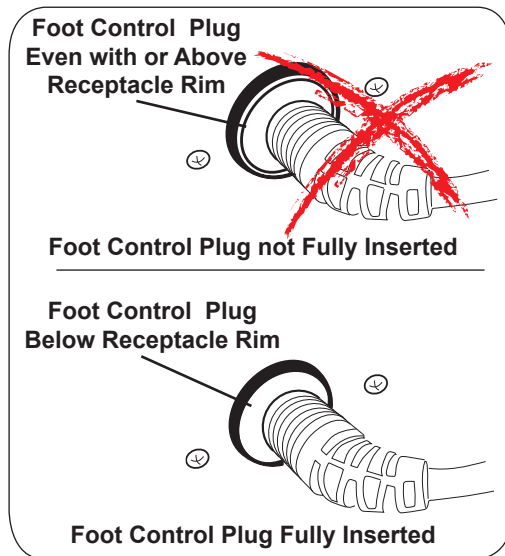


Figure 7. Foot Control Properly Pugged In

WARNING	
	<p style="text-align: center;">Shock Hazard</p> <p>After installing or moving table, make sure there are no damaged or exposed wires that could result in electrical shock.</p>

OPERATION

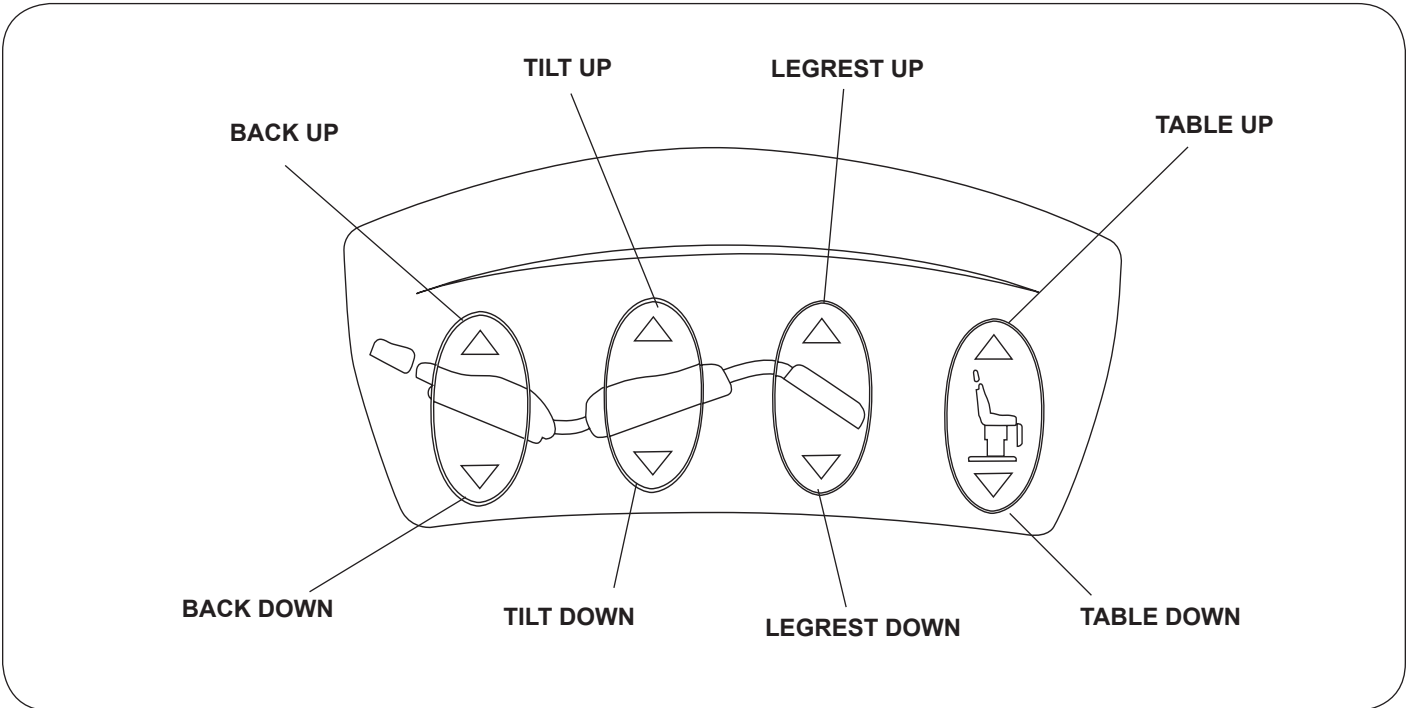


Figure 8. Foot Control

Foot Control

The model 7000 ASSIST Powered Procedure Table comes standard with a four pedal foot control (Figure 8). The table adjustments include height, seat tilt, backrest angle, and legrest angle.

NOTICE
Unintended Operation
To avoid accidental operation, keep foreign objects away from controls. Be sure the controls are not positioned below the legrest or headrest linkage.

OPERATION (CONTINUED)

Treatment Pan

1. To expose the treatment pan for use, grasp the tray handle and pull until tray is fully extended (Figure 9).
2. The pan can be easily removed for cleaning with the tray fully extended. Fully seat pan into tray when clean.
3. Push the tray handle as far in as it will go to fully stow the treatment pan after use. A light clicking sound will be heard just before the pan reaches its fully stowed position. (The light clicking sound is created by a switch that allows the legrest to move upward).

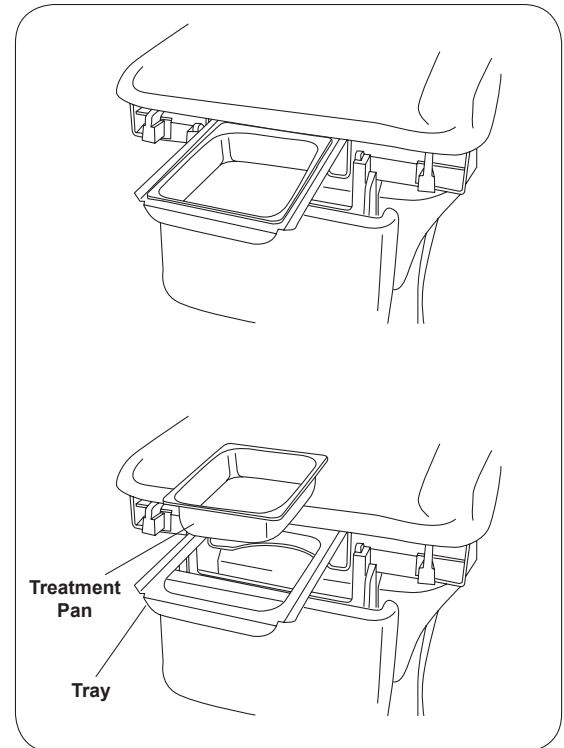


Figure 9. Treatment Pan

Headrest Positions

1. To move the headrest, rotate the three handles to their open position. Move the headrest to its desired location. Rotate the 3 handles to their locked position as shown in Figure 10.
2. Each section of the headrest can be adjusted independently by rotating the handle to the open position, moving the desired section, and then rotating the handle to the closed position.

NOTE: Make sure all three handles are locked. A handle is locked correctly when it is pushed past center and the force of the clamping action pulls the handle into the locked position and holds it there.

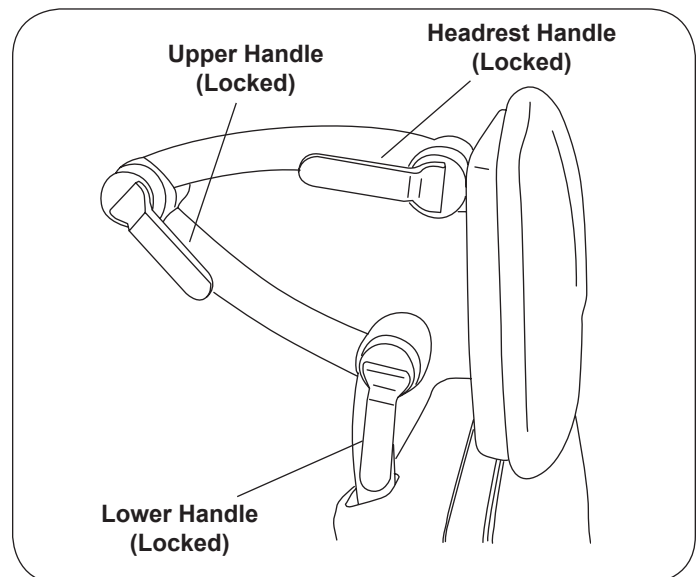


Figure 10. Headrest Handles

CAUTION

Make sure headrest is securely locked into position before use. Failure to have the three handles correctly locked could result in headrest falling during a procedure which could result in serious personal injury.

OPERATION (CONTINUED)

Legrest Extension

In the horizontal position, the legrest can be extended 5" to increase the overall length of the table (Figure 11).

Lift up on the legrest and pull outward to extend the legrest. To return the legrest to the shortest position, lift up on the legrest and push fully inward.

NOTICE

To prevent damage to the unit, the legrest must be returned to the shortest position prior to lowering the legrest to the vertical position.

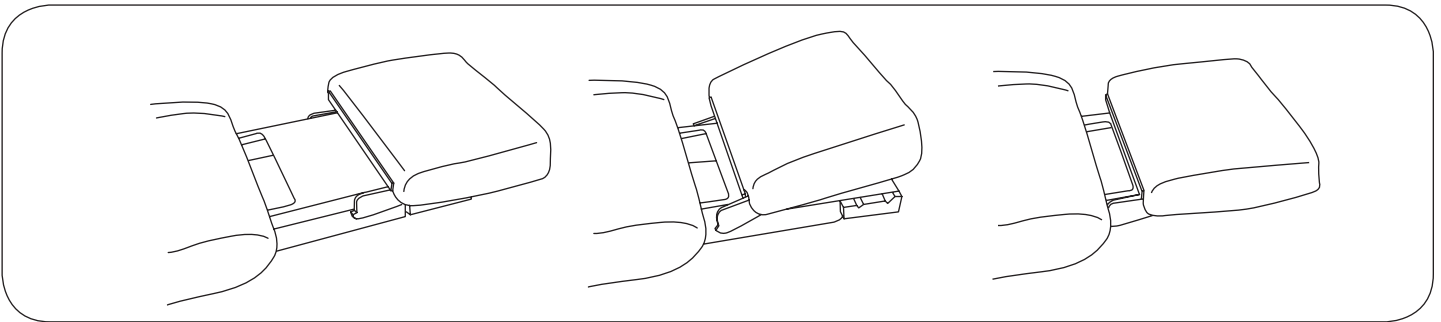


Figure 11. Legrest Extension

Legrest Kneeling Position

The legrest can be rotated to a kneeling position (Figure 12).

1. Grasp the legrest cushion on both sides.
2. Rotate the cushion upward until rotation stops.
3. Slide the legrest downward and rotate the cushion downward to engage the stop. Two height positions are provided.

NOTICE

Make Sure Legrest is Engaged with Stops

Make sure the legrest cushion is fully engaged with the stops on both sides. When properly engaged, the legrest cushion is parallel to the ground.

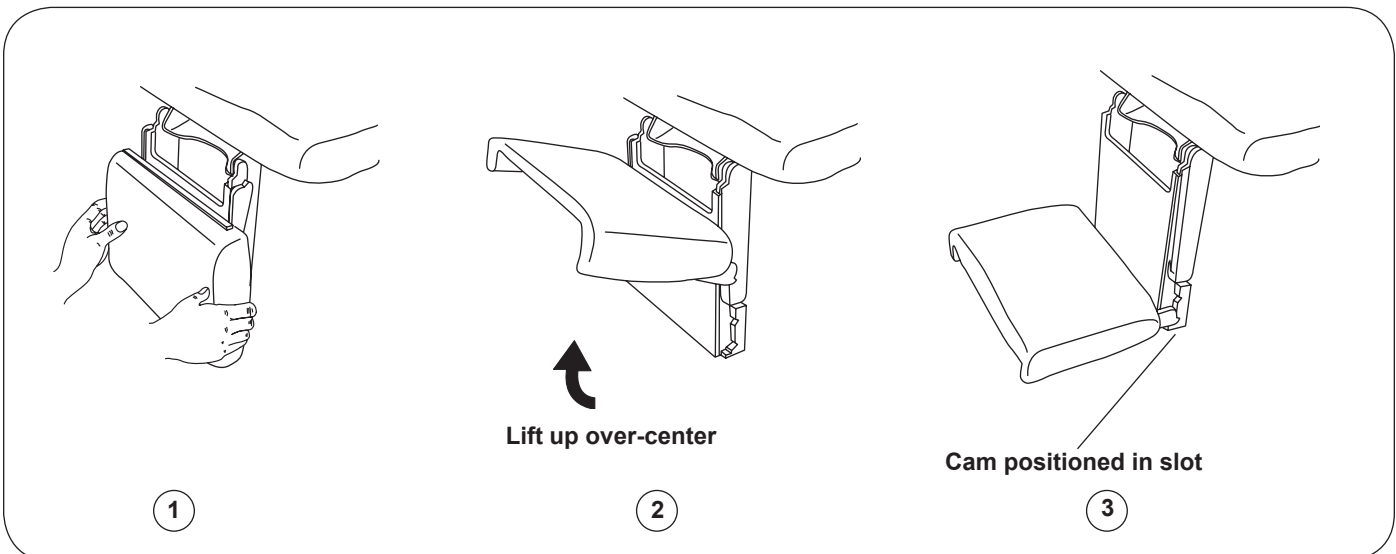


Figure 12. Legrest Kneeling Position

OPERATION (CONTINUED)

Adjustable Stirrups

OPERATING THE STIRRUPS

1. To operate the stirrups, grasp end of stirrup and pull straight out of the table. Lift up slightly while sliding the stirrup out (Figure 13).

NOTE: Applying downward pressure when pulling stirrup from table may make it difficult to move. Resistance is normal and is part of the stirrup friction locking mechanism

2. Unfold stirrup upward to the fully open position.
3. Adjust the stirrup to the desired length by sliding it in or out.

STIRRUP LATERAL ADJUSTMENT

1. Lift end of stirrup and then rotate outward to desired position (Figure 14).
2. When the desired position is achieved, lower the stirrup to engage the lateral locking mechanism.
3. Check that lateral locking mechanism is engaged by attempting to rotate stirrup assembly without lifting on the stirrup end.

STORING THE STIRRUPS

1. To store the stirrups in the table, grasp end of stirrup and pull straight out to its full extension (Figure 15).
2. Fold stirrup down against bar, then rotate it to the inner most lateral position and slide it back into the stowed position.

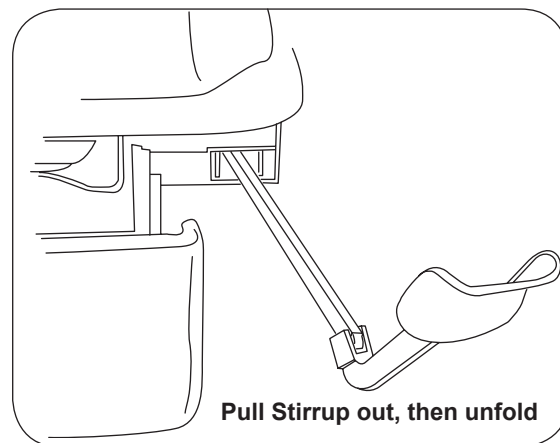


Figure 13. Operating the Stirrups

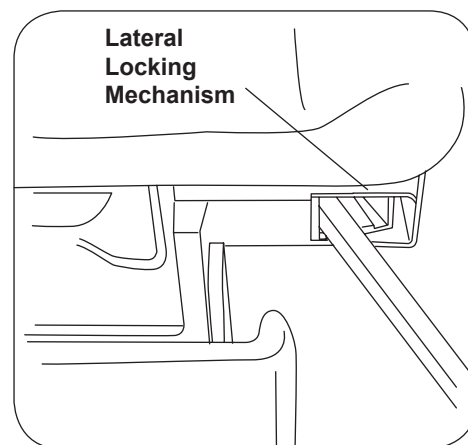


Figure 14. Stirrup Lateral Adjustment

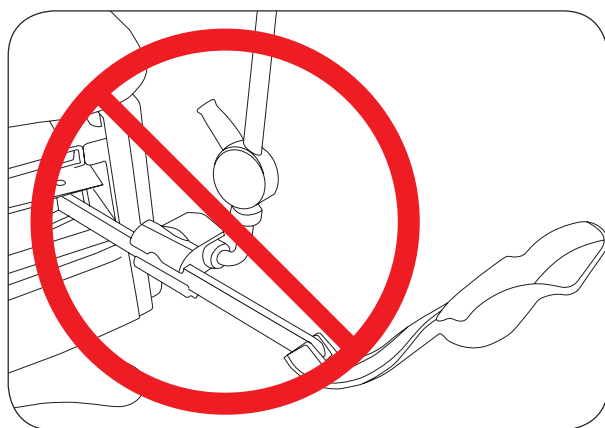


Figure 16. Affix No Attachments!

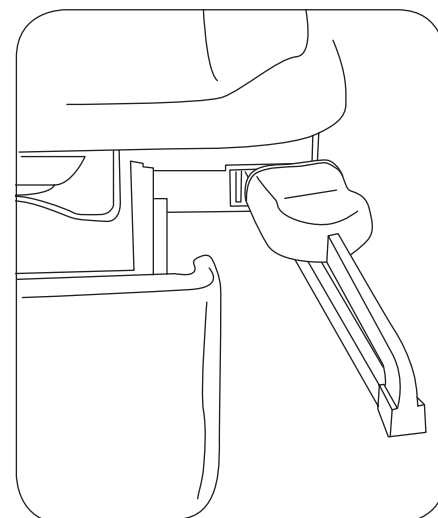


Figure 15. Storing the Stirrups

NOTICE

Use Stirrup Only as Designed

Do not use any part of the stirrup for attachment of any device (Figure 16). Warranty will be voided. If knee crutches are required for use, order mounting adapters, clamps, and rails shown in the Accessories Section.

OPERATION (CONTINUED)

Paper Roll

To change a paper roll, insert the paper through the slot in the backrest shrouding and set the paper roll in the holder (Figure 17).

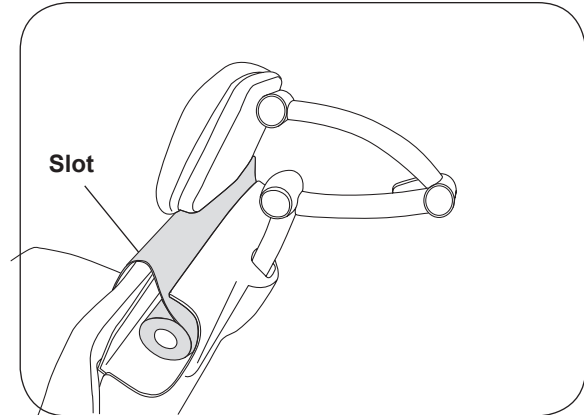


Figure 17. Paper Roll

TABLE ADJUSTMENTS

WARNING

Area Not Clear Hazard

Before initiating movement keep personnel and equipment clear of table to avoid personal injury or damage to the equipment.

NOTICE

Avoid Continuous Operation

If the table is operated continuously causing the control to exceed its allowable operating temperature, the control will shut off. If normal operation ceases, do not attempt to operate the table. Allow the table to cool for 10-15 minutes before attempting to use again. The control will automatically reset when it has reached a safe operating temperature.

Table Height

The table top can be adjusted to any height between 19" to 40" (Figure 18).

1. To raise the table, depress and hold the Table Up pedal (Figure 8) until the desired height is achieved, then release the pedal.
2. To lower the table, depress and hold the Table Down pedal until the desired height is achieved, then release the pedal.

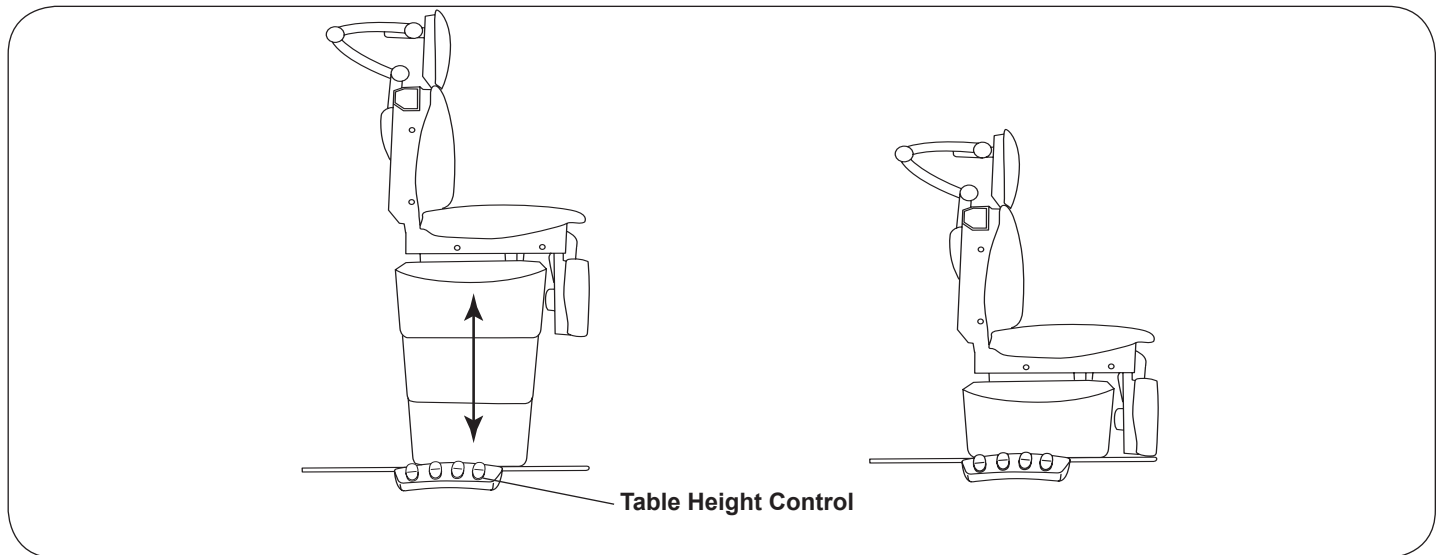


Figure 18. Table Height Positioning

TABLE ADJUSTMENTS (CONTINUED)

Back Positions

The back can be adjusted to any angle between horizontal and 85° (Figure 19).

1. To adjust the back from a chair (upright) position to a horizontal position, depress and hold the Back Down pedal (Figure 8) until the desired angle is achieved, then release the pedal.
2. To adjust the backrest from a horizontal position to a chair (upright) position, depress and hold the Back Up pedal until the desired angle is achieved, then release the pedal.

NOTICE

Back Actuator-Push Only

The back is positioned by a “push only” actuator that raises the back. When lowered, the actuator retracts and gravity causes the back to lower.

Tilt Function

The table top can be tilted to any angle between horizontal and +30° (foot end of table raised) (Figure 20).

1. To tilt the foot end of the table upward, depress and hold the Tilt Up pedal (Figure 8) until the desired angle is achieved, then release the pedal.
2. To tilt the foot end of the table downward, depress and hold the Tilt Down pedal until the desired angle is achieved, then release the pedal .

NOTICE

Headrest Linkage Clearance

Use care when tilting the table to avoid contact between the headrest linkage and the floor or other objects. (Figure 21).

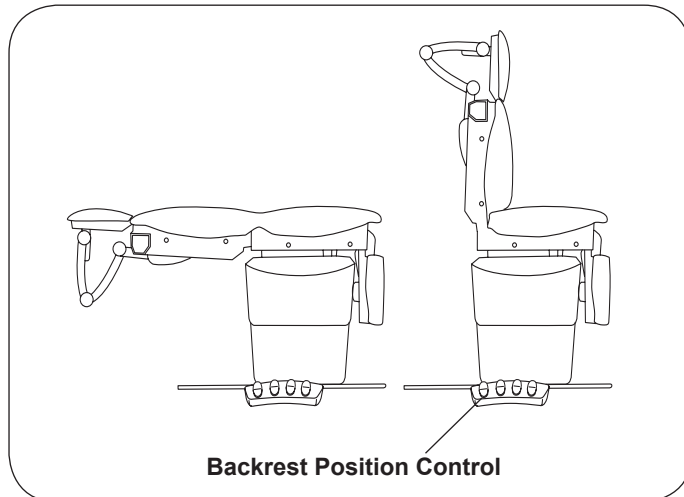


Figure 19. Adjusting Backrest

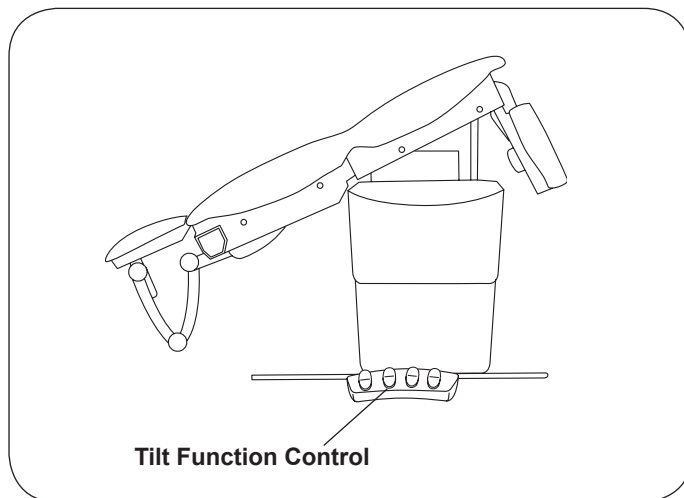


Figure 20. Tilt Function

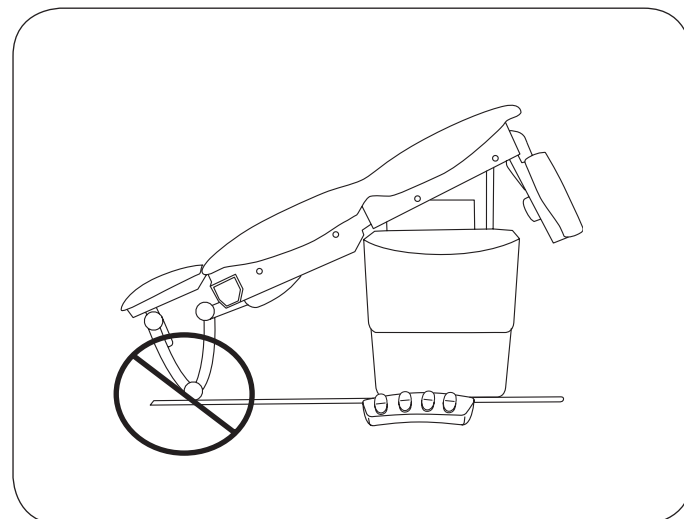


Figure 21. Do Not Allow Headrest to Contact Objects

TABLE ADJUSTMENTS (CONTINUED)

Legrest Positions

The legrest can be adjusted from a horizontal position to a vertical position (Figure 22).

1. To adjust the legrest from a vertical position to a horizontal position, depress and hold the Legrest Up pedal (Figure 8) until the desired angle is achieved, then release the pedal.
2. To adjust the legrest from a horizontal position to a vertical position, depress and hold the Legrest Down pedal until the desired angle is achieved, then release the pedal.

NOTICE

Treatment Pan Tray Must be Stowed

The legrest will not rise if the treatment pan tray is extended. If the legrest is inoperable, check to ensure that the treatment pan tray is in its fully stowed position.

NOTICE

Legrest Actuator-Push Only

The legrest is positioned by a “push only” actuator that raises the legrest. When lowered, the actuator retracts and gravity causes the legrest to lower.

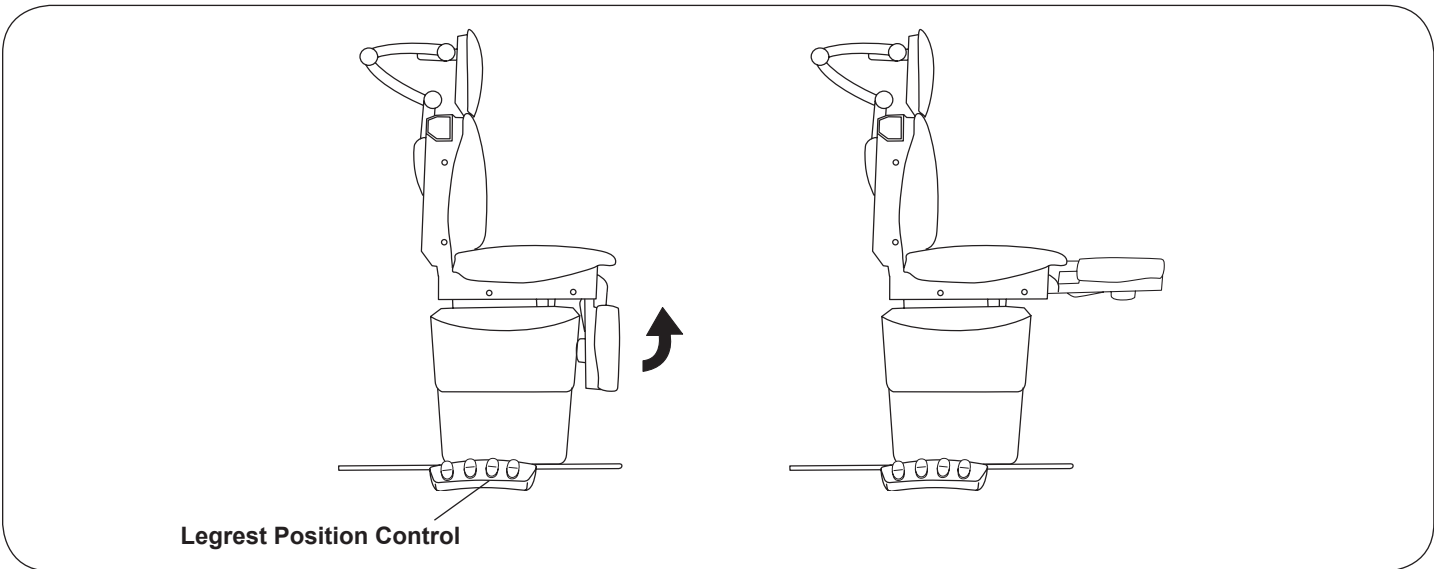


Figure 22. Legrest Positions

NOTICE

Actuator Travel Limit Protection

Each control function will automatically stop moving when either the UP or DOWN travel limit is reached. If the foot pedal is pressed with travel at its limit, the actuator will not operate. Sensors prevent the actuator motor from operating when travel limit has been reached, preventing wear of the actuator.

MAINTENANCE

Preventative Maintenance

NOTICE

Loose Fasteners and Damaged Components

Failure to perform periodic inspections of the table could result in equipment damage.

- Inspect table every 6 months.
- Periodically inspect the electrical and foot control cords to ensure they are free of cuts or damage.
- Inspect the mechanical functions to ensure satisfactory operation.
- Check fasteners to make sure they are present and tightened securely.
- Lubricate the backrest hinge with a food grade silicon lubricant. Cover surrounding area with cloth to protect from overspray and wipe excess.

NOTICE

Table Malfunction

If table malfunctions, immediately remove your foot from the controls, unplug the power cord from the receptacle, and assist the patient from the table. Service the table prior to use.

WARNING



Shock Hazard

Disconnect power by removing plug from wall receptacle before servicing table.

Table Care

NOTICE

Wipe Spills Immediately!

The upholstery material is resistant to most medicinal type stains, but may be damaged by solvents and dyes. Remove any spilled fluids from the upholstery immediately.

For the latest in Cleaning Guidelines visit:
www.brewercompany.com

WARRANTY

For Brewer Warranty Information:

Visit www.brewercompany.com or contact the Brewer Customer Service Department at (1-888-Brewer1).

ACCESSORIES

Listed below are the accessories which are authorized for use with this table.

Description	Order No.	Use/Restrictions
Urology Tray w/Hose & Bucket	100253	Conveniently and safely captures fluids during urology procedures.
Side Rails (qty 2)	99501	Used to attach accessories. Can be mounted to seat or back.
Universal Socket Clamp (qty 1)	99502	Used to mount deluxe articulating knee crutches to accessory rail.
Welch Allyn IV Light Bracket (customer installed)	102025	For mounting of Welch Allyn IV light.
Grab Bars (qty 2)	99497	Requires 99501 Side Rails for mounting to seat.
Articulating Arm Board	99499	Requires 99501 Side Rails for mounting to backrest.
Hand Pendant	99500	Can be used independantly or in conjunction with foot control. Table is pre-wired to accept hand pendant.

The following items are required for the Articulating Knee Crutch accessory:

Deluxe Articulating Knee Crutches	99504	Allows leg positioning for ease of examination. Contains one LH and one RH Knee Crutch.
Side Rails (qty 2)	99501	Provides attachment point for Knee Crutch Clamps.
Universal Socket Clamp (qty 1)	99502	Clamps Knee Crutch to Side Rail. Must order (2) two 99502 Universal Socket Clamps.